

CHAIN BRACKET SMALL CELL HOLDER

ONLY FITS
NOKIA EQUIPMENT

CHAIN BRACKET SMALL CELL HOLDER

is designed for installation of one NSN Small Cell unit on Cue Dee Chain Bracket together with the Small Cell Bracket.

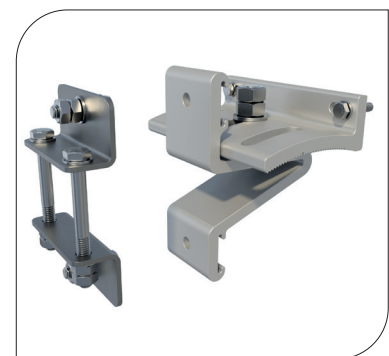
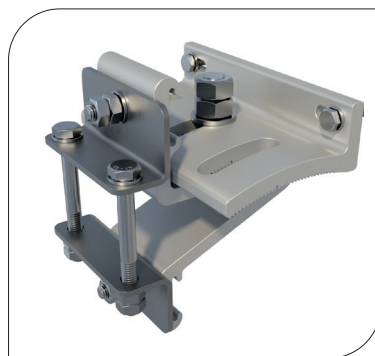
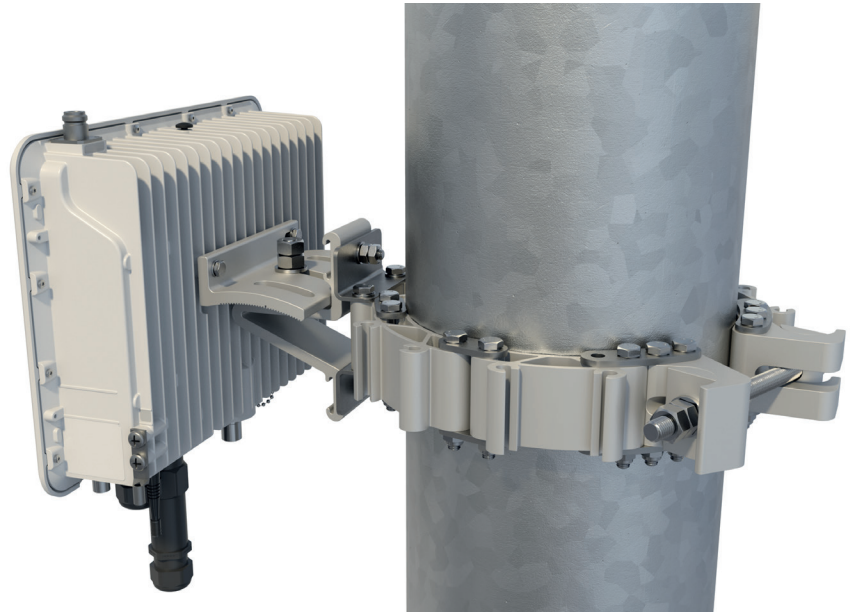
FLEXIBILITY

Together with the Cue Dee Chain Bracket the Small Cell Holder can be installed on any pole from Ø110 mm up to Ø1070 mm.

Since Chain Bracket is designed with several profile elements around the pole You can easily hook on additional Small Cell units around the pole in the same level by just adding Small Cell Holders.

QUALITY

All components are made of acid proof stainless steel which gives the support excellent corrosion resistance.



ORDER AND TECHNICAL INFORMATION

DRAWING NO: 991075

FUNCTION DESCRIPTION: Small Cell Holder for installation of one NSN Small Cell unit on Cue Dee Chain Bracket. Together with the Cue Dee Chain Bracket it can be mounted on large poles, monopoles, chimneys etc. with a diameter over Ø110 mm.

MECHANICAL DATA:

Plates: Acid proof stainless steel
Fasteners: Acid proof stainless steel

PERFORMANCE

MAX WIND SPEED

| | km/h | m/s | mph |
|---------------|------|-----|-----|
| With RRU unit | 240 | 67 | 150 |

PACKAGE DIMENSIONS

| LENGTH | WIDTH | HEIGHT | WEIGHT |
|----------------|----------------|----------------|-----------------|
| 90 mm (3,5 in) | 80 mm (3,1 in) | 55 mm (2,2 in) | 0,5 kg (1,1 lb) |

Quality Design